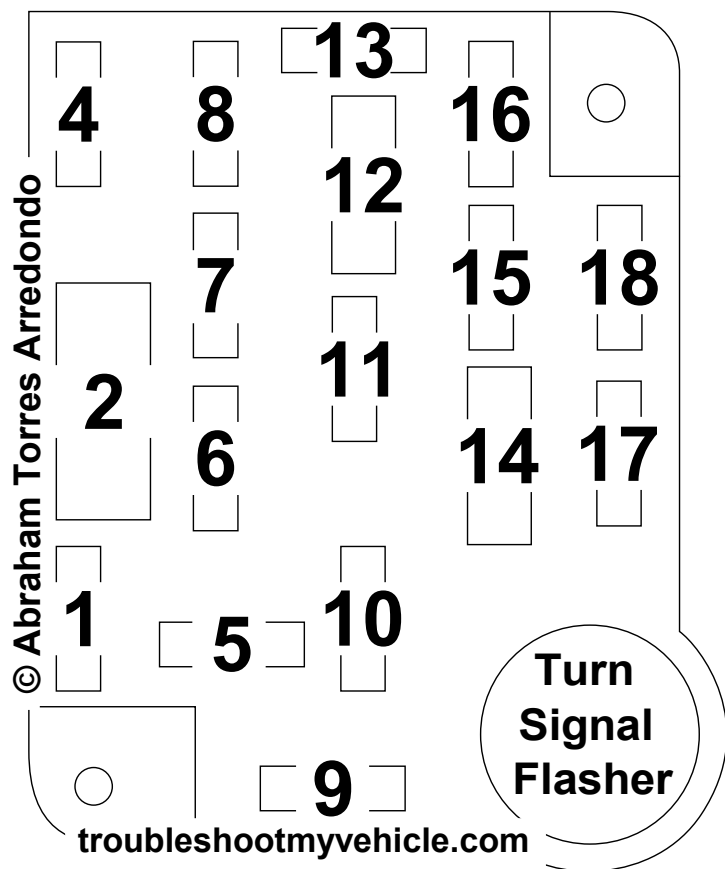


Instrument Panel Fuse Box (1994 Ford Ranger)

troubleshootmyvehicle.com/ford/2.3L/1994-instrument-panel-fusebox



1994 2.3L, 3.0L, 4.0L Ford Ranger Fuse Box

Fuse #	Amp	Fuse Name/Description
1	15 Amp	<ul style="list-style-type: none"> Headlight Switch.
2	30 Amp	CIRCUIT BREAKER <ul style="list-style-type: none"> Windshield Wiper Motor. Interval Governor (Wiper/Washer). Multi-Function Switch (Wiper/Washer Switch).
3	-	NOT USED
4	15 Amp	<ul style="list-style-type: none"> Hazard Flasher.
5	15 Amp	<ul style="list-style-type: none"> Turn Signal Flasher. Daytime Running Lights (DRL) Module.

Instrument Panel Fuse Box (1994 Ford Ranger)

troubleshootmyvehicle.com/ford/2.3L/1994-instrument-panel-fusebox

Fuse #	Amp	Fuse Name/Description
		<ul style="list-style-type: none"> • Park/Neutral Switch (w/ Automatic Transmission). • Backup Lamp Switch (w/ Manual Transmission). • Brake Warning Diode/Resistor Assembly.
6	10 Amp	<ul style="list-style-type: none"> • Cruise Control Amplifier.
7	15 Amp	<ul style="list-style-type: none"> • Electric Shift Control Switch (w/ Electric Shift Only). • Electric Shift Control Module (w/ Electric Shift Only). • Instrument Cluster. • Low Oil Level Relay. • Warning Chime Module.
8	20 Amp	<ul style="list-style-type: none"> • Horn Switch. • Horn Relay.
9	30 Amp	<ul style="list-style-type: none"> • Blower Motor.
10	15 Amp	<ul style="list-style-type: none"> • Stop Light Switch. • Headlight Switch.
11	15 Amp	<ul style="list-style-type: none"> • Radio. • Headlight Switch.
12	20 Amp	<p>CIRCUIT BREAKER</p> <ul style="list-style-type: none"> • Flash-to-Pass Switch (Beam Select Switch). • Cigarette Lighter. • Power Lumbar Support Switch. • Left Power Lumbar Switch.
13	10 Amp	<ul style="list-style-type: none"> • Instrument Illumination. • Interior Lights.
14	30 Amp	<p>CIRCUIT BREAKER</p> <ul style="list-style-type: none"> • Master Window Control Switch. • Right Front Window Switch.
15	20 Amp	<ul style="list-style-type: none"> • Rear ABS Module.
16	20 Amp	<ul style="list-style-type: none"> • Radio Amp.
17	10 Amp	<ul style="list-style-type: none"> • A/C-Heater Control Assembly.
18	15 Amp	<ul style="list-style-type: none"> • Heated Oxygen Sensor.